

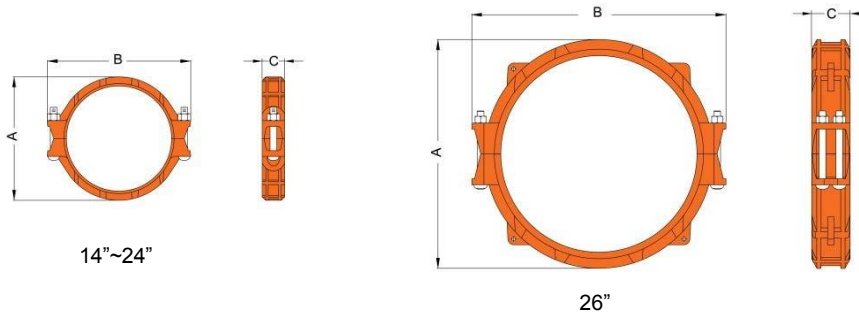
MODEL 7707N HEAVY DUTY FLEXIBLE COUPLING

The Model 7707N Heavy Duty Flexible Coupling is designed for use in a variety of general piping applications of moderate or high pressure services. The Model 7707N couplings feature flexibility that can deal with misalignment, distortion, thermal stress, vibration and noise and also resist seismic tremors. With the use of Model 7707N couplings you can even design a curved layout. See Typical application – Flexible Couplings on **Shurjoint** Data Sheet #B-19.

The Model 7707N couplings sizes 14" – 26" (350 mm – 650 mm) are comprised of two identical ductile iron housing segments, an EPDM rubber gasket and one or two bolts at each segment joint to ensure a positive connection and seal.



7707N couplings should always be installed so that the coupling bolt pads make metal to metal contact.



Full warranty terms can be found on www.shurjoint.com

Model 7707N Heavy Duty Flexible Coupling

Nominal Size	Pipe O.D.	Max. Working Pressure (CWP)*	Max. End Load (CWP)	Axial Displacement †	Angular Movement**†		Dimension			Bolt		Weight
					Degree Per Coupling (°)	Per Pipe	A	B	C	No.	Size	
in	in	PSI	Lbs	in		in / ft	in	in	in		in	Lbs
mm	mm	Bar	kN	mm		mm / m	mm	mm	mm		in	Kgs
14	14.00	300	46150	0.125	0° – 31'	0.06	16.23	19.80	2.95	2	7/8 x 6 1/2	34.5
350	355.6	20	198.53	3.2		4.5	412.0	503.0	75.0			15.7
16	16.00	300	60280	0.125	0° – 27'	0.05	18.23	21.85	2.95	2	1 x 6 1/2	37.0
400	406.4	20	259.30	3.2		4.0	463.0	555.0	75.0			16.8
18	18.00	300	76300	0.125	0° – 24'	0.04	20.45	24.06	3.11	2	1 x 6 1/2	47.1
450	457.2	20	327.89	3.2		3.5	520.0	611.0	79.0			22.3
20	20.00	300	94200	0.125	0° – 22'	0.04	22.48	26.38	3.11	2	1 x 6 1/2	54.4
500	508.0	20	405.16	3.2		3.0	571.0	670.0	79.0			24.7
22	22.00	300	113980	0.125	0° – 19'	0.04	24.46	30.16	3.11	2	1 1/8 x 6 1/2	63.0
550	558.8	20	490.60	3.2		3.0	621.4	766.0	79.0			28.6
24	24.00	300	135640	0.125	0° – 18'	0.03	26.55	30.43	3.11	2	1 1/8 x 6 1/2	65.1
600	609.6	20	584.20	3.2		2.5	674.0	773.0	79.0			29.5
26	26.00	300	159190	0.125	0° – 17'	0.03	29.68	33.15	4.94	4	7/8 x 9 5/8	143.0
650	660.4	20	684.72	3.2		2.5	754.0	842.0	125.6			65.0

* Working pressure is based on roll-grooved standard wall carbon steel pipe.

† Allowable Axial Displacement and Angular Movement (deflection) figures are for roll grooved standard steel pipe. Values for cut grooved pipe will be double that of roll grooved. These values are maximums; for design and installation purposes these figures should be reduced by: 50% for 3/4" – 3 1/2"; 25% for 4" and larger to compensate for jobsite conditions.

** Deflection or angular movement given is the maximum value that a coupling allows. When using the given maximum angles for a curved layout, proper bracing should be used to counter pressure thrust that will occur when the system is pressurized.

Flexible couplings can be used for angular movement and or thermal expansion, though please note individual coupling(s) cannot be used to their maximums for both types of movement within a system at the same time.

Performance Data

The following tables show the maximum working pressures (CWP) of **Shurjoint** Model 7707N Heavy Duty Flexible Coupling used on roll-grooved carbon steel pipes.

Model 7707N on Carbon Steel Pipe			
Nom. Size	Cut-Grooved	Roll-Grooved	
	XS (0.500")* PSI / Bar	STD (0.375") PSI / Bar	LW (0.312") PSI / Bar
14 350	300 20	300 20	250 17
16 400	300 20	300 20	250 17
18 450	300 20	300 20	250 17
20 500	300 20	300 20	250 17
22 550	300 20	300 20	250 17
24 600	300 20	300 20	250 17
26 650	300 20	300 20	250 17

Note: * Pressure ratings are based on cut-grooved XS carbon steel pipe.

MATERIAL SPECIFICATIONS

• Housing:

Ductile Iron to ASTM A536, Gr. 65-45-12 and or ASTM A395, Gr. 65-45-15, min. tensile strength 65,000 psi (448 MPa).

• Surface Finish:

Standard painted finishes in orange or RAL3000 red.

- Hot dip zinc galvanized (Option).
- Tailored epoxy coatings including 3M Scotchkote #134 for waste water, hydrocarbons, harsh chemicals and sea water services, Drynamels #4900 for exterior (outdoor) architectural applications and others (Option).

For additional details contact **Shurjoint**.

• Rubber Gasket:

Grade "E" EPDM (Color code: Green stripe) Good for cold & hot water up to +230°F (+110°C). Also good for services for water with acid, water with chlorine, deionized water, seawater and waste water, dilute acids, oil-free air and many chemicals.

Not recommended for petroleum oils, minerals oils, solvents and aromatic hydrocarbons.

Maximum Temperature Range: -30°F (-34°C) to +230°F (+110°C) *.

*EPDM gaskets for water services are not recommended for steam services unless couplings or components are accessible for frequent gasket replacement.

- (Option) **Grade "T" Nitrile** (Color code: Orange stripe) Recommended for petroleum products, air with oil vapors, vegetable and mineral oils within the specified temperature range. Also good for water services under +150°F (+66°C).

Temperature range: -20°F to +180°F (-29°C to +82°C).

Do not use for HOT WATER above +150°F (+66°C) or HOT DRY AIR above +140°F (+60°C)

- Other options: Grade "O" - Fluoroelastomer.
Grade "L" - Silicone.

For additional details contact **Shurjoint**.

• Bolts & Nuts:

Heat treated carbon manganese steel track bolts to ASTM A449-83a (or A183 Gr. 2), minimum tensile strength 110,000 psi (758 MPa), Zinc electroplated, with heavy-duty hexagonal nuts to ASTM A563. Plain washers are always supplied for epoxy coated couplings.

- Type 304 or 316 track bolts with heavy duty nuts (Option)

General Notes:

- **Maximum Working Pressure (CWP)** listed is the maximum cold water pressure for general piping services tested to ASTM F1476 and or AWWA C606 methods. Figures listed are based on roll- or cut-grooved standard wall carbon steel pipe. For other pipe schedules or pipe materials, contact **Shurjoint** for additional information.
- **Max. End Load** is calculated based on the maximum working pressure (CWP).
- **Field Joint Test:** For one time only the system may be tested hydrostatically at 1½ times the maximum working pressure listed (AWWA C606 5.2.3).
- **Warning:** Piping systems must always be depressurized and drained before attempting disassembly and or removal of any components.
- **The 10 Year Limited Warranty** applies to manufacturing defects only and does not cover severe service/temperature applications or wear parts.
- **Shurjoint** reserves the right to change specifications, designs and or standard without notice and without incurring any obligations.

Shurjoint product specifications in U.S. customary units and metric are approximate and are provided for reference only. For precise measurements, please contact Shurjoint Technical Service. Shurjoint reserves the right to change or modify product design, construction, specifications, or materials without prior notice and without incurring any obligations to make such changes and modifications on Shurjoint products previously subsequently sold.