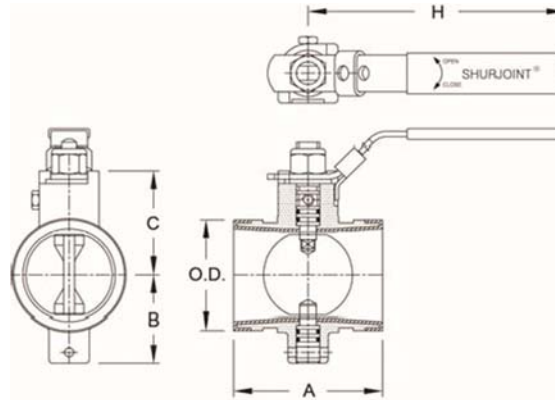


MODEL SJ-200 LOW-PROFILE BUTTERFLY VALVE

The **Shurjoint** Model SJ-200 Butterfly Valve is a low profile, grooved-end butterfly valve for oil & gas and or mining services. Working pressure is rated up to 232 psi / 1600 kPa and service temperatures up to +180°F/+82°C (Nitrile body liner). The Model SJ-200 features a fully rubber lined body with 316 stainless steel disc. The end-to-end dimensions conform to MSS SP-67. The lever handle is equipped with a tamper resistant locking device.



| Model SJ-200 Low-Profile Butterfly Valve | | | | | | | | |
|--|-----------|------------------------------|------------|------|------|-------|--------|--|
| Nominal Size | Pipe O.D. | Max. Working Pressure (CWP)* | Dimensions | | | | Weight | |
| | | | A | B | C | H | | |
| in | in | PSI | in | in | in | in | Lbs | |
| mm | mm | Bar | mm | mm | mm | mm | Kgs | |
| 2 | 2.375 | 232 | 3.19 | 1.89 | 2.25 | 5.51 | 2.0 | |
| 50 | 60.3 | 16 | 81 | 48 | 57 | 140 | 0.9 | |
| 2½ | 2.875 | 232 | 3.82 | 2.13 | 2.65 | 7.48 | 3.3 | |
| 65 | 73.0 | 16 | 97 | 54 | 67 | 190 | 1.5 | |
| 3 | 3.500 | 232 | 3.82 | 2.44 | 2.94 | 7.48 | 4.2 | |
| 80 | 88.9 | 16 | 97 | 62 | 75 | 190 | 1.9 | |
| 4 | 4.500 | 232 | 4.57 | 3.00 | 3.82 | 10.79 | 8.6 | |
| 100 | 114.3 | 16 | 116 | 76 | 97 | 274 | 3.9 | |
| 6 | 6.625 | 232 | 5.83 | 4.09 | 4.57 | 10.79 | 22.2 | |
| 150 | 168.3 | 16 | 148 | 104 | 116 | 274 | 10.1 | |
| 8 | 8.625 | 232 | 5.25 | 5.50 | 6.00 | 10.79 | 27.9 | |
| 200 | 219.1 | 16 | 133 | 140 | 152 | 274 | 11.3 | |

*Working pressure is based on connection with roll- or cut-grooved standard wall carbon steel pipe.

MODEL SJ-200 MATERIAL SPECIFICATIONS

- **Valve Body:**
Ductile Iron to ASTM A536, Gr. 65-45-12 and or to ASTM A395, Gr. 65-15-45, min tensile strength 65,000 psi (448 MPa).
- **Disc:**
Stainless Steel CF8M (316).
- **Valve Body Coating:**
Epoxy paint, black.
- **Valve Body Liner:**
Grade "T" Nitrile (color code: Orange stripe) (Option)
Recommended for petroleum products, vegetable oils, mineral oils and air with oil vapors. Temperature range: -20°F to +180°F (-29°C to +82°C). Also good for water services under +150°F (+66°C).

Do not use for HOT WATER above +150° F (+66°C) or HOT DRY AIR above +140° F (+60°C)

- **Upper & Lower Shafts:**
Stainless steel Type 416.
- **O-ring:**
NBR
- **Nut:**
Carbon steel nylon lock nut, zinc electro plated.
- **Lever Handle:**
Carbon steel, zinc electro plated with plastic grip.

General Notes:

- **Maximum Working Pressure (CWP)** listed is the maximum cold water pressure for general piping services tested to ASTM F1476 and or AWWA C606 methods. Figures listed are based on roll- or cut-grooved standard wall carbon steel pipe. For other pipe schedules or pipe materials, contact **Shurjoint** for additional information.
- **Field Joint Test:** For one time only the system may be tested hydrostatically at 1½ times the maximum working pressure listed (AWWA C606 5.2.3).
- **Warning:** Piping systems must always be depressurized and drained before attempting disassembly and or removal of any components.
- **The 10 Year Limited Warranty** applies to manufacturing defects only and does not cover severe service/temperature applications or wear parts.
- **Shurjoint** reserves the right to change specifications, designs and or standard without notice and without incurring any obligations.

Shurjoint product specifications in U.S. customary units and metric are approximate and are provided for reference only. For precise measurements, please contact **Shurjoint** Technical Service. **Shurjoint** reserves the right to change or modify product design, construction, specifications, or materials without prior notice and without incurring any obligations to make such changes and modifications on **Shurjoint** products previously subsequently sold.